



Designed for installation in potentially explosive environments

Complete digital programming directly from the front of the instrument

RS232 or RS422/RS485, MODBUS RTU or ASCII protocols

Suitable for satisfying various needs in the field of industrial weighing: management of level limits, weight control and elaborate dosing procedures

Calibration run with certificates of transducers

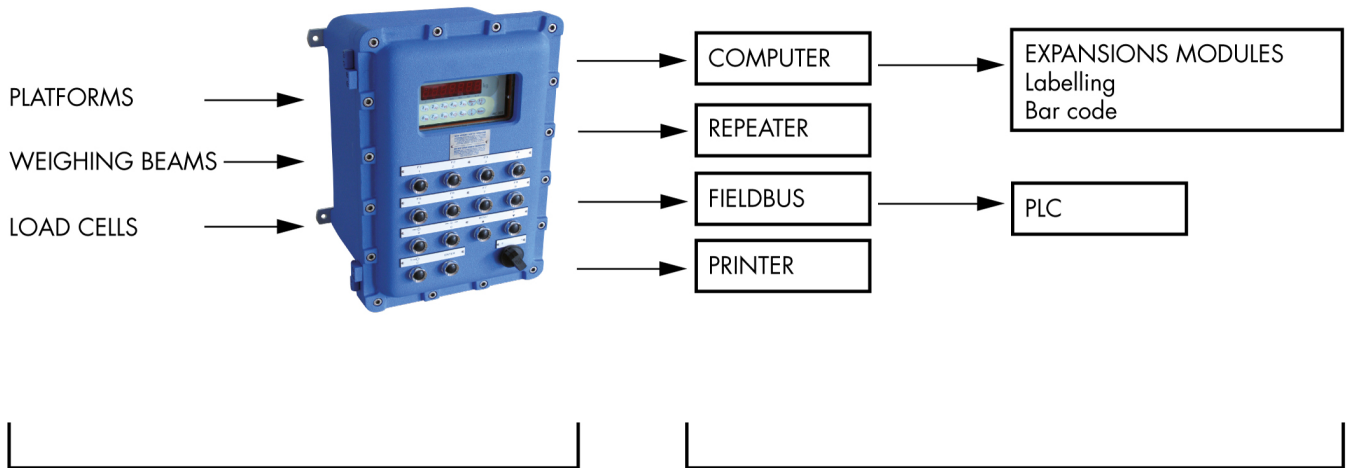
Housing in explosion proof case -also intrinsically safe barriers- as an interface with the load cells

Degree of protection IP65/IP66

TECHNICAL CHARACTERISTICS E 70/2

Transducer power supply:	max 5 V (max 6 cells of 350 Ohms) through intrinsic safety barriers
Measuring range:	from transducers with sensitivity from -3.9 to +3.9 mV / V
Input sensitivity:	0.02 micronV/division
Linearity:	<0.01% of full scale
Thermal drift	<0.0003% of full scale / ° C
Display:	7 digit, 7-segment red LED, height 14mm
A/D converter:	24 bits
Internal resolution:	> of 16,000,000 points
Viewable resolution:	60,000 displayable divisions on the net weight
Settable decimals:	0.0; 0.00; 0.000
Filter:	selectable from 0.2 to 50 Hz
Keyboard:	14 buttons in ATEX execution
Power supply:	230 Vdc 50/60 Hz (optional 115 Vdc) max absorption 15VA
Temperature range:	-10 To +50 ° C (max 85% humidity non-condensing)
Storage temperature:	-20 ÷ +70 °C
Logic outputs:	6 relays (contact) MAX 115Vac/30 Vdc, 0.5 A each
Logic inputs:	6 opto-isolated 12 V cc PNP
Serial port:	RS232C or RS422/RS485
Transmission distance:	15m (RS232C), 100m (RS422 and RS485)
Standard protocol:	ASCII, MODBUS RTU
Baud rate:	1200, 2400, 4800, 9600, 19200, 38400, 115200 selectable
Regulatory Compliance:	EN50081-1, EN5002-2 for EMC; EN61010-1 for Electrical Safety 94/9/EC for ATEX II 2 GD; EEx d IIB T6÷T4

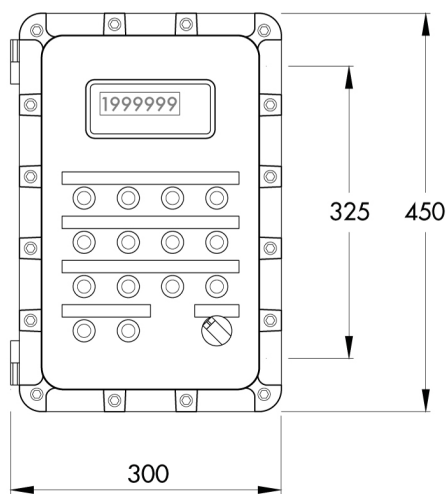
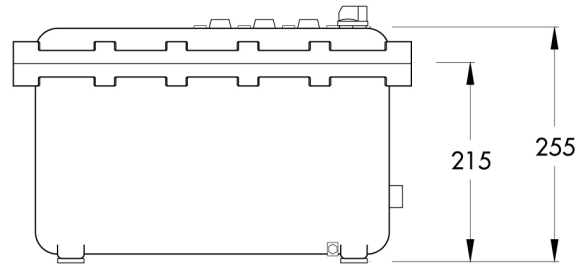
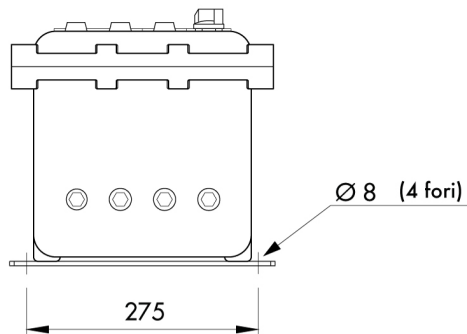




HAZARDOUS AREA

SAFE AREA





SCIGATE AUTOMATION (S) PTE LTD

No.1 Bukit Batok Street 22 #01-01 Singapore 659592

Tel: (65) 6561 0488

Fax: (65) 6562 0588

Email: sales@scigate.com.sg

Web: www.scigate.com.sg

Business Hours: Monday - Friday 8.30am - 6.15pm

